



### BZ-2R



Actual product appearance may vary.

**BZ Series Standard Basic Switch, Single Pole Double Throw Circuitry, 15 A at 250 Vac, Pin Plunger Actuator, 2,5 N - 3,61 N [9 oz -13 oz] Operating Force, Silver Contacts, Solder Termination, CE, CSA, DEMKO, UL**

#### Features

- Accepted world-wide standard "Large Basic" switch
- Low operating force and differential travel
- Long mechanical life up to 20,000,000 cycles at 95% survival
- Elongated mounting hole for easier, more accurate mounting
- Current rating ranges from 15 A to 25 A
- Choice of actuation, termination and operating characteristics

#### Potential Applications

- Irrigation systems
- Semi-trailer trucks
- Timing devices
- Office equipment
- Test instruments
- Medical/dental equipment
- HVAC equipment
- Manually operated devices
- Valves

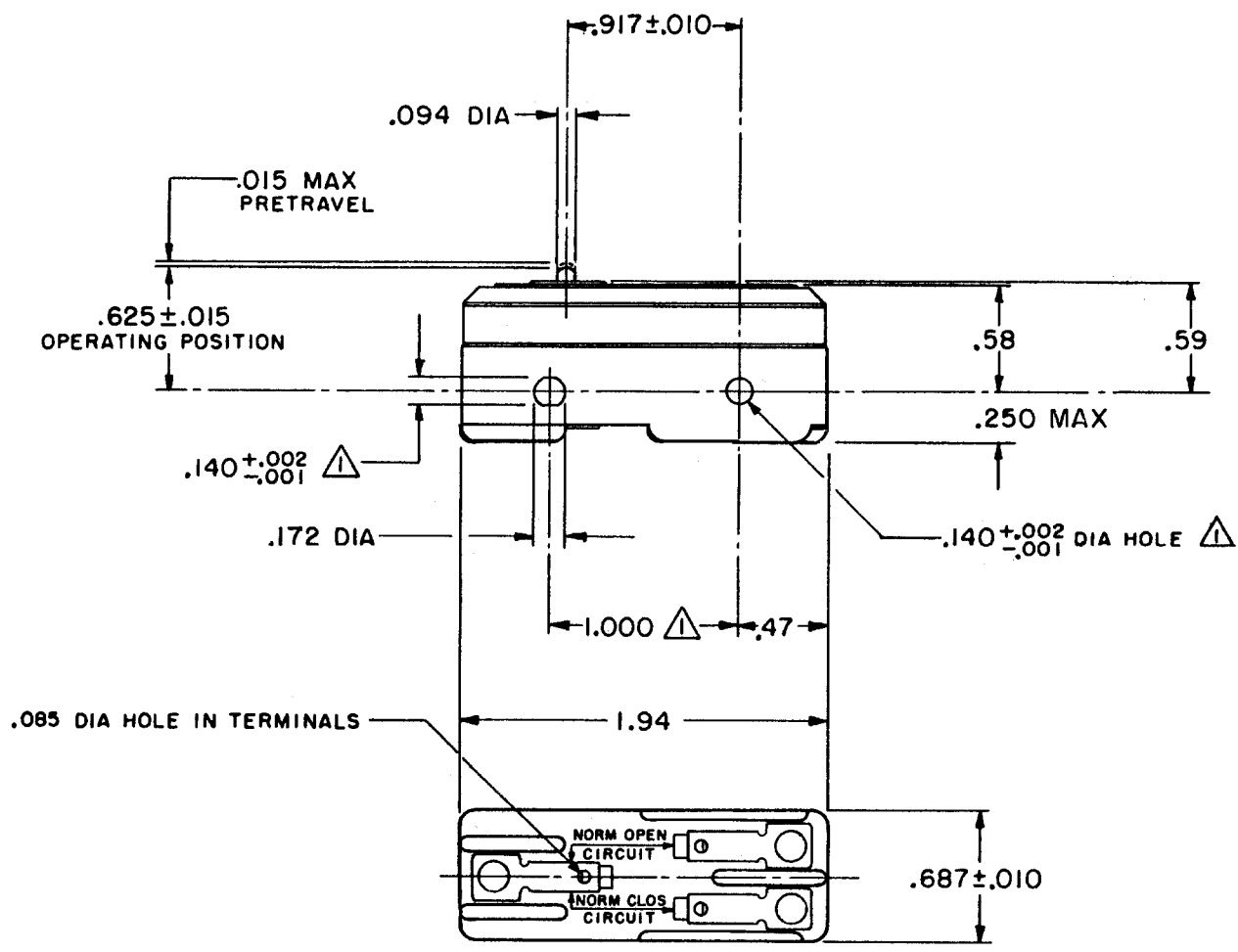
#### Description

MICRO SWITCH™ BZ/BA Series standard basic switches are used for simple or precision on/off application needs.

Product Specifications	
Switch Type	MICRO SWITCH™ Standard 25,4 mm H x 17,8 mm W x 50,8 mm L [1.0 in H x 0.7 in W x 2.0 in L]
Sealed	No
Ampere Rating	15 A
Circuitry	Single Pole Double Throw (SPDT)
Actuator	Pin Plunger
Termination	Solder
Operating Temperature Range	-55 °C to 85 °C [-67 °F to 185 °F]
Voltage	250 Vac
Approvals	CE, CSA, UL
Contact Type	Silver

Operating Force (O.F.)	2,5 N - 3,61 N [9.0 oz - 13.0 oz]
Release Force (R.F.)	1,11 N [4.0 oz] min.
Pretravel (P.T.)	0,38 mm [0.015 in] max.
Overtravel (O.T.)	0,13 mm [0.005 in] min.
Differential Travel (D.T.)	0,01 mm - 0,05 mm [0.0004 in - 0.0020 in]
Operating Position (O.P.)	15,88 mm $\pm$ 0,38 mm [0.625 in $\pm$ 0.015 in]
Material	Plastic
Housing Material	General Purpose Phenolic
High Temperature	204 °C [400 °F]
CE mark	61058-1
UL File #	E12252
CSA File #	LR41370
Agency Approvals and Standards	1054
Mounting Screw Size	3,53 mm [0.139 in]
Mounting Centers	25,4 mm [1 in]
Maximum Tightening Torque	0,33 N m [3.0 in lb]
Weight	28,6 g [0.063 lb]
Package Height	24,1 mm [0.95 in]
Package Width	17,5 mm [0.69 in]
Package Length	49,3 mm [1.94 in]
Recommended For	Most applications SPDT
Availability	Global
UNSPSC Code	30211905
UNSPSC Commodity	30211905 Snap switches
Series Name	BZ/BA/WA/YZ

BZ-2R  
 PAGE 1 OF 1  
 DRAWING NUMBER  
 ISSUE 16  
 REVISIONS  
 A CO17410  
 GCH 18 MAR 63  
 B CO31092  
 R C 30 SEPT 72  
 C CO46304  
 J A P 12 OCT 79  
 D 58037  
 S M A 1 OCT 85  
 E CO 79874  
 D L T 17 NOV 94  
 F CO93346  
 D L T 1 SEP 98  
 G CO-84234  
 L J K 8 MAR 99  
 FORMTEK  
 FO-80378  
 DRAWN  
 GCH 18 MAR 63  
 CHECK L.S.D.  
 26 MAR 63  
 CHECK  
 RELEASE NO.  
 CHECK  
 REPLACES



**NOTE**  
 △ MOUNTING HOLES WILL ACCEPT PINS OR SCREWS OF .139 MAX DIA ON 1.000 ± .002 CENTERS

THIS DRAWING COVERS A PROPRIETARY ITEM AND IS THE PROPERTY OF MICRO SWITCH, A DIVISION OF MINNEAPOLIS-HONEYWELL REGULATOR CO. THIS DRAWING IS NOT TO BE COPIED OR USED WITHOUT THE APPROVAL OF MICRO SWITCH.

CHARACTERISTICS	
OPERATING FORCE	----- 9 - 13 OZ
RELEASE FORCE	----- 4 OZ MIN
DIFFERENTIAL TRAVEL	---- .0004 - .0020
OVERTRAVEL	----- .005 MIN

ELECTRICAL DATA	
CONTACT ARRANGEMENT	S P D T
UNDERWRITERS' LAB. INC. LISTED RATING 15A-125, 250 OR 480 VAC, 2A-600 VAC -L74- 1/8HP-125 VAC; 1/4HP-250 VAC 1/2A-125 VDC; 1/4A-250 VDC	
-L288-	
-L299-	
-L306-	
16A 250V ~ T85 5E4	

SCALE FULL		
DO NOT SCALE PRINT		
UNLESS OTHERWISE SPECIFIED		
DIMENSIONS ARE IN INCHES		
<b>TOLERANCES ARE:</b>		
ONE PLACE	(.0)	±.030
TWO PLACE	(.00)	±.015
THREE PLACE	(.000)	±.005
ANGLES		±
WEIGHT .050 LB		